

**10' X 16' FEEDER HOPPER**

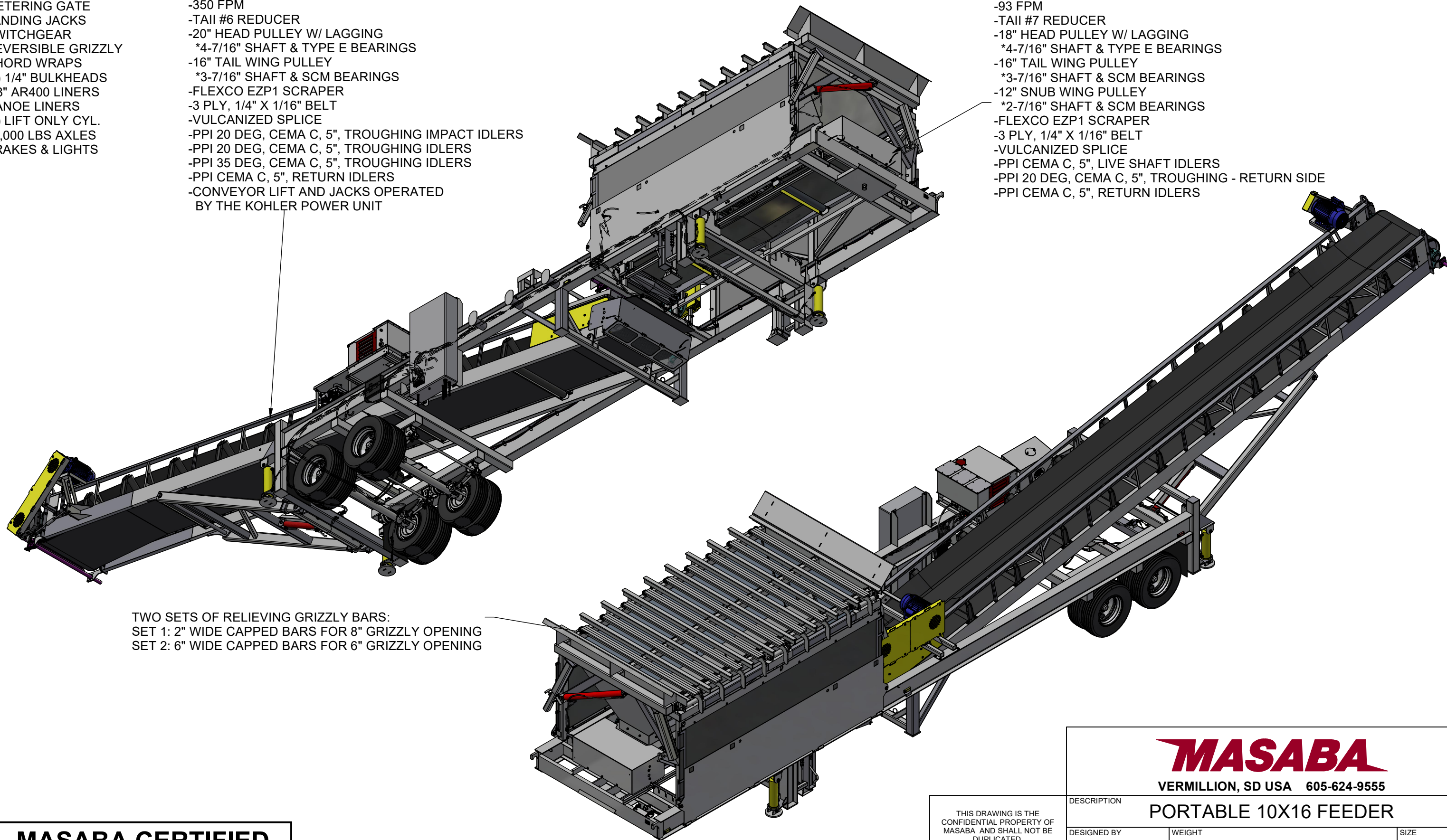
- 13.6 CUBIC YARDS
- METERING GATE
- LANDING JACKS
- SWITCHGEAR
- REVERSIBLE GRIZZLY
- CHORD WRAPS
- (2) 1/4" BULKHEADS
- 3/8" AR400 LINERS
- CANOE LINERS
- (4) LIFT ONLY CYL.
- 25,000 LBS AXLES
- BRAKES & LIGHTS

**48" X 48' DISCHARGE CONVEYOR**

- 40 HP MOTOR
- 350 FPM
- TAIL #6 REDUCER
- 20" HEAD PULLEY W/ LAGGING
- \*4-7/16" SHAFT & TYPE E BEARINGS
- 16" TAIL WING PULLEY
- \*3-7/16" SHAFT & SCM BEARINGS
- FLEXCO EZP1 SCRAPER
- 3 PLY, 1/4" X 1/16" BELT
- VULCANIZED SPLICE
- PPI 20 DEG, CEMA C, 5", TROUGHING IMPACT IDLERS
- PPI 20 DEG, CEMA C, 5", TROUGHING IDLERS
- PPI 35 DEG, CEMA C, 5", TROUGHING IDLERS
- PPI CEMA C, 5", RETURN IDLERS
- CONVEYOR LIFT AND JACKS OPERATED BY THE KOHLER POWER UNIT

**42" X 20' FEED CONVEYOR**

- 40 HP MOTOR
- 93 FPM
- TAIL #7 REDUCER
- 18" HEAD PULLEY W/ LAGGING
- \*4-7/16" SHAFT & TYPE E BEARINGS
- 16" TAIL WING PULLEY
- \*3-7/16" SHAFT & SCM BEARINGS
- 12" SNUB WING PULLEY
- \*2-7/16" SHAFT & SCM BEARINGS
- FLEXCO EZP1 SCRAPER
- 3 PLY, 1/4" X 1/16" BELT
- VULCANIZED SPLICE
- PPI CEMA C, 5", LIVE SHAFT IDLERS
- PPI 20 DEG, CEMA C, 5", TROUGHING - RETURN SIDE
- PPI CEMA C, 5", RETURN IDLERS



TWO SETS OF RELIEVING GRIZZLY BARS:  
 SET 1: 2" WIDE CAPPED BARS FOR 8" GRIZZLY OPENING  
 SET 2: 6" WIDE CAPPED BARS FOR 6" GRIZZLY OPENING

**MASABA CERTIFIED**

RELEASED FOR CONSTRUCTION  
 BY: JJB DATE: 3/2/2022

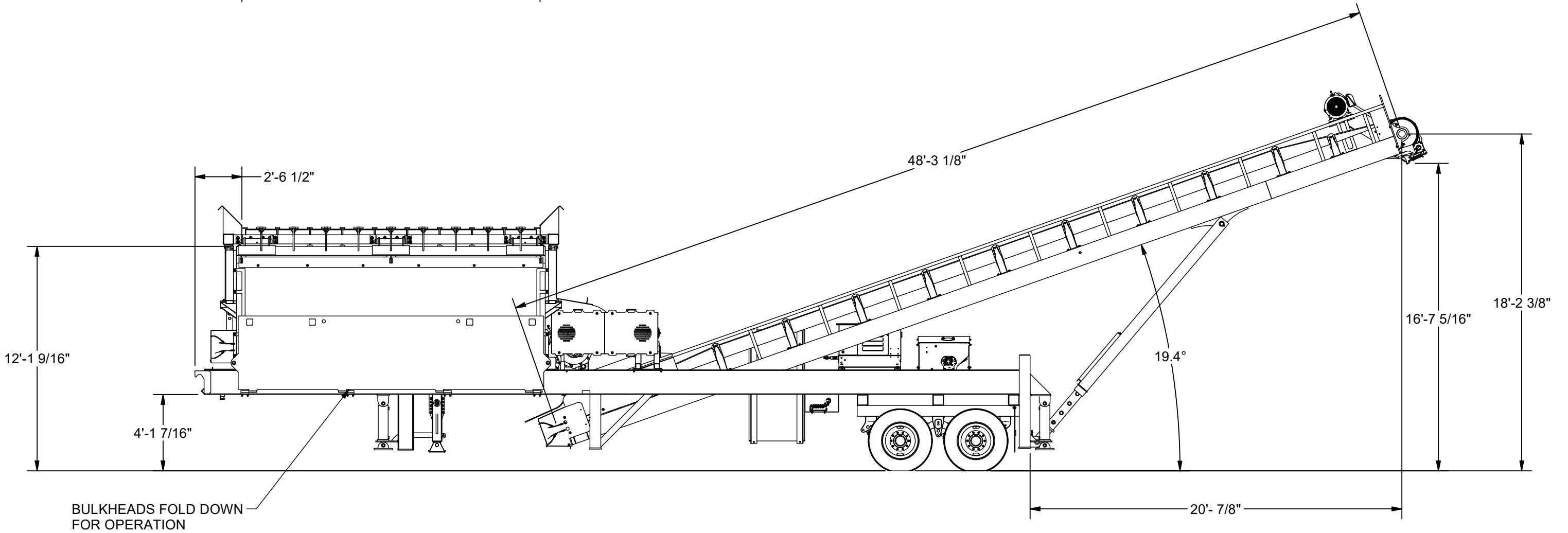
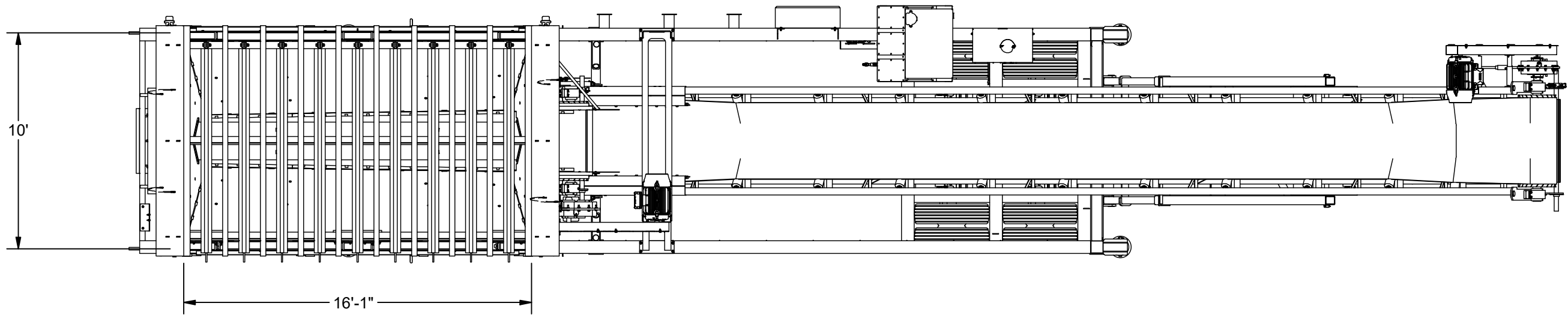
|     |                          |          |        |
|-----|--------------------------|----------|--------|
| 000 | CRETFIED DRAWING RELEASE | 03/02/22 | JJB    |
| REV | DESCRIPTION              | DATE     | APPRVD |

THIS DRAWING IS THE CONFIDENTIAL PROPERTY OF MASABA AND SHALL NOT BE DUPLICATED, COPIED, REPRODUCED OR DISCLOSED WITHOUT AUTHORIZED PERMISSION FROM MASABA. THIS DOCUMENT IS TO BE RETURNED UPON REQUEST.

**MASABA**

VERMILLION, SD USA 605-624-9555

|             |                  |       |                       |
|-------------|------------------|-------|-----------------------|
| DESCRIPTION |                  |       | PORTABLE 10X16 FEEDER |
| DESIGNED BY | WEIGHT           | SIZE  |                       |
| JJB         | 56443.778 lbmass | B     |                       |
| DRAWN BY    | DATE             | SHEET |                       |
| CAK         | 3/2/2022         | 1 / 4 |                       |
| SCALE       | PART NUMBER      | REV   |                       |
| 3/16" = 1'  | 22111000         | 000   |                       |



BULKHEADS FOLD DOWN FOR OPERATION

OPERATIONAL REPRESENTATION

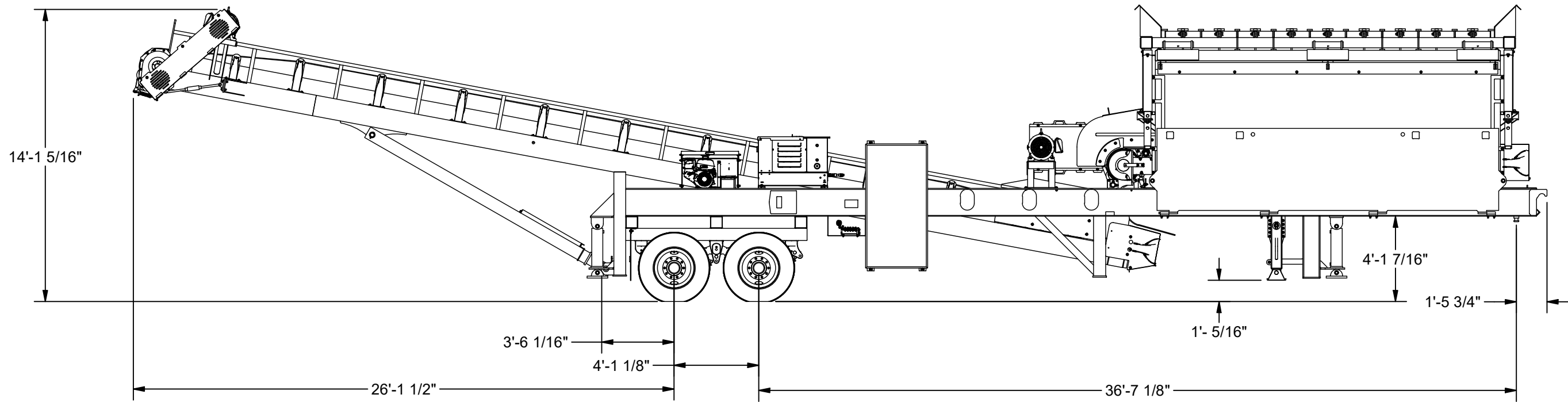
**MASABA**

VERMILLION, SD USA 605-624-9555

DESCRIPTION  
**PORTABLE 10X16 FEEDER**

THIS DRAWING IS THE CONFIDENTIAL PROPERTY OF MASABA AND SHALL NOT BE DUPLICATED, COPIED, REPRODUCED OR DISCLOSED WITHOUT AUTHORIZED PERMISSION FROM MASABA. THIS DOCUMENT IS TO BE RETURNED UPON REQUEST.

|                           |                            |                  |
|---------------------------|----------------------------|------------------|
| DESIGNED BY<br><b>JJB</b> | WEIGHT<br>56443.778 lbmass | SIZE<br><b>B</b> |
| DRAWN BY<br><b>CAK</b>    | DATE<br>3/2/2022           | SHEET<br>2 / 4   |
| SCALE<br>3/16" = 1'       | PART NUMBER<br>22111000    | REV<br>000       |

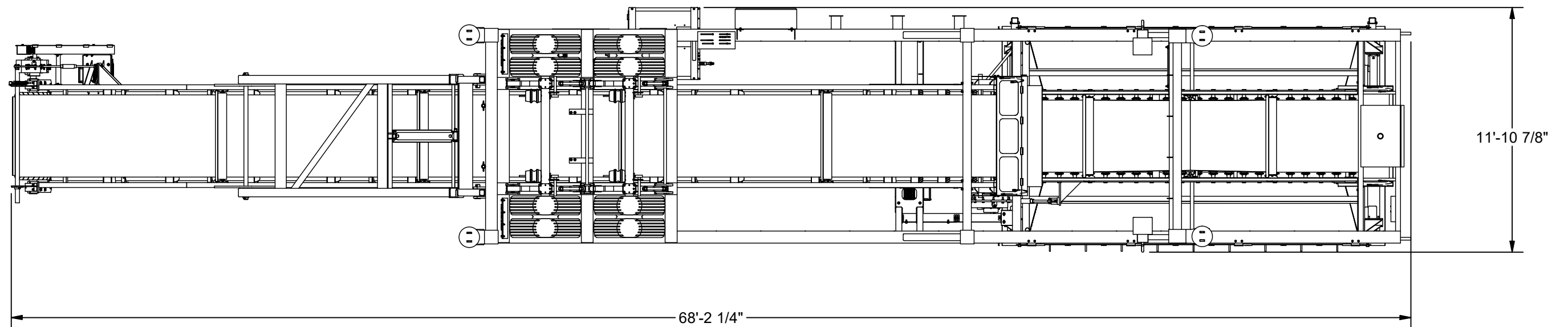


ESTIMATED AXLE WEIGHT

32,700 LBS

ESTIMATED KING PIN WEIGHT

25,000 LBS



TRAVEL REPRESENTATION

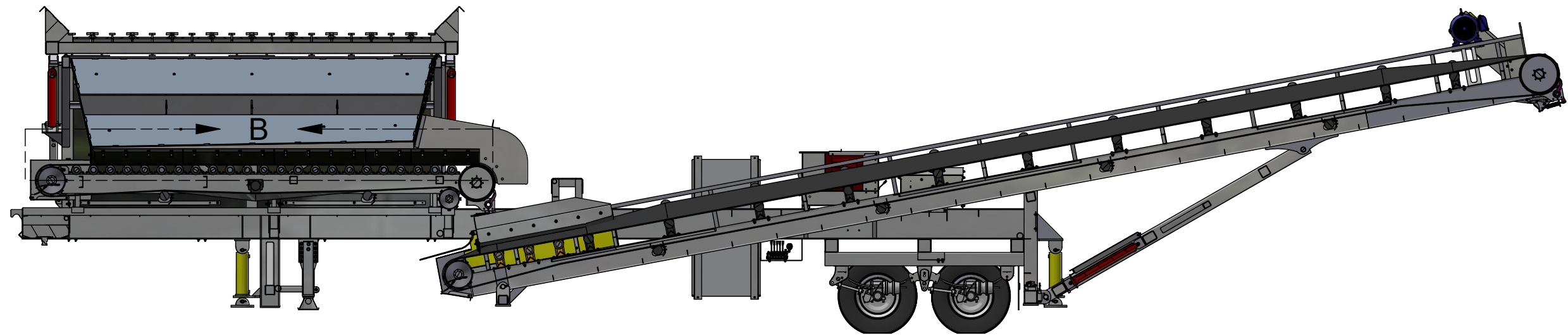
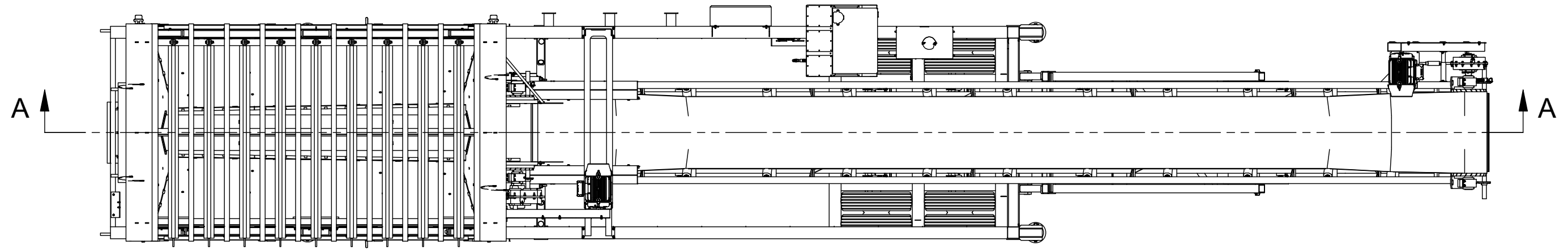
THIS DRAWING IS THE  
CONFIDENTIAL PROPERTY OF  
MASABA AND SHALL NOT BE  
DUPLICATED,  
COPIED, REPRODUCED OR  
DISCLOSED WITHOUT  
AUTHORIZED PERMISSION FROM  
MASABA.  
THIS DOCUMENT IS TO BE  
RETURNED UPON REQUEST.

**MASABA**

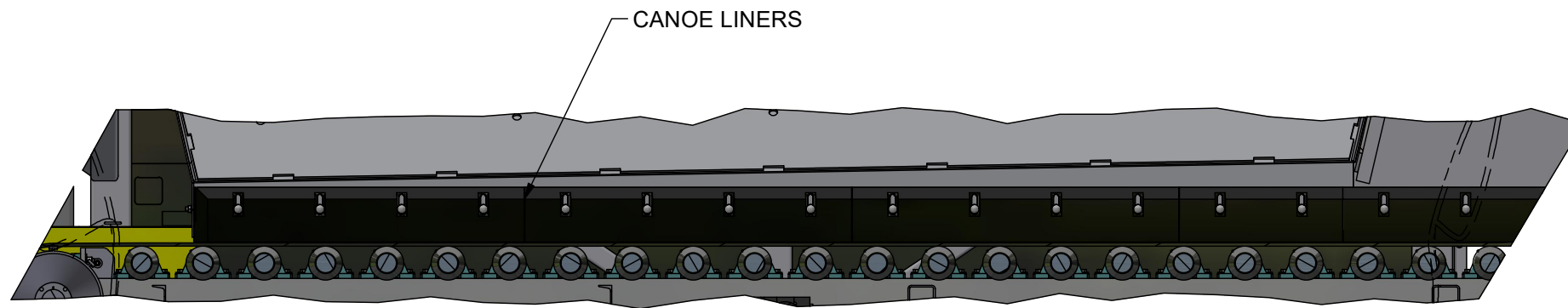
VERMILLION, SD USA 605-624-9555

DESCRIPTION  
**PORTABLE 10X16 FEEDER**

|                           |                            |                  |
|---------------------------|----------------------------|------------------|
| DESIGNED BY<br><b>JJB</b> | WEIGHT<br>56443.778 lbmass | SIZE<br><b>B</b> |
| DRAWN BY<br><b>CAK</b>    | DATE<br>3/2/2022           | SHEET<br>3 / 4   |
| SCALE<br>3/16" = 1'       | PART NUMBER<br>22111000    | REV<br>000       |



SECTION A-A



DETAIL B

THIS DRAWING IS THE  
CONFIDENTIAL PROPERTY OF  
MASABA AND SHALL NOT BE  
DUPLICATED,  
COPIED, REPRODUCED OR  
DISCLOSED WITHOUT  
AUTHORIZED PERMISSION FROM  
MASABA.  
THIS DOCUMENT IS TO BE  
RETURNED UPON REQUEST.

|   |                            |                       |
|---|----------------------------|-----------------------|
| <b>MASABA</b>                               |                            |                       |
| VERMILLION, SD USA 605-624-9555             |                            |                       |
| DESCRIPTION<br><b>PORTABLE 10X16 FEEDER</b> |                            |                       |
| DESIGNED BY<br><b>JJB</b>                   | WEIGHT<br>56443.778 lbmass | SIZE<br><b>B</b>      |
| DRAWN BY<br><b>CAK</b>                      | DATE<br>3/2/2022           | SHEET<br><b>4 / 4</b> |
| SCALE<br>3/16" = 1'                         | PART NUMBER<br>22111000    | REV<br>000            |